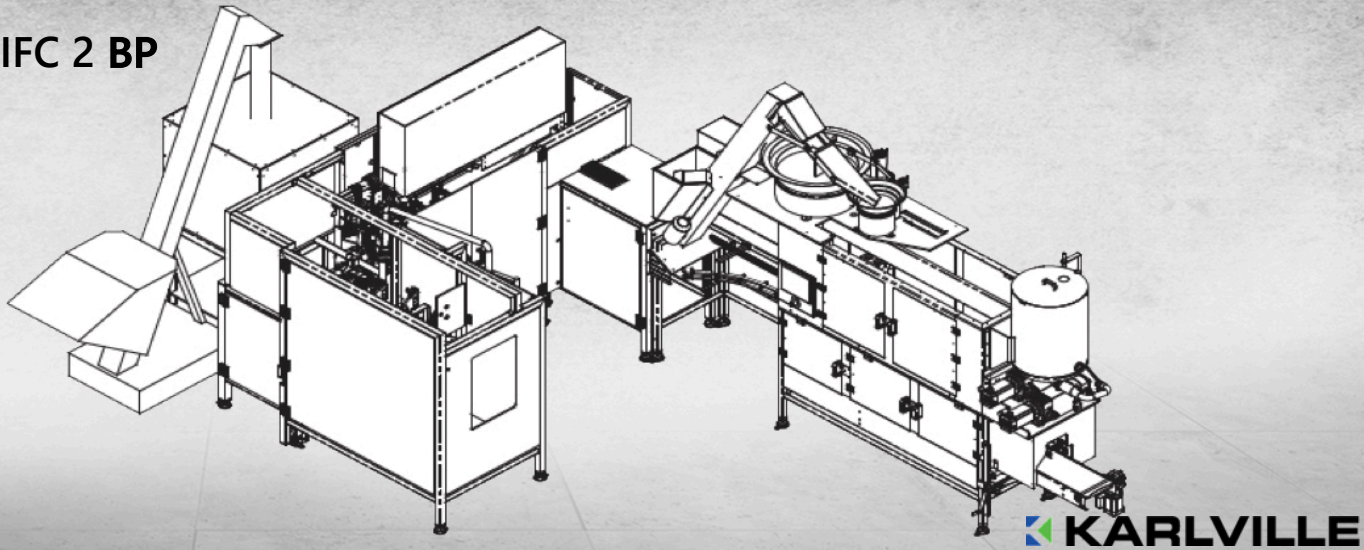


SpoutPro– IFC 2 BP



The SPOUTPRO IFC – 2 – BP is our model for inline 100% automatic neck inserting, filling and capping of PacXpert type flexible pouches. This machine will be fed with pre-made, double handle, 100% PolyEthylene jumbo pouch – PacXpert

Machine Specifications

Description	Spec
Product	Ideal for Liquid (Food and Non-Food)
Number of Filling Heads	2
Speed	25-30 pack per minute
Spout Position	Top
Filling Range	2 to 10lbs

Filling through the Spout

These FC-Type Machines fill through the already applied spout. This makes the process of filling foaming products more secure and leads to an high output of filled pouches.

- Highly reliable process
 - Clean process – Reduced spilling, spraying
 - Quick changeover to other shaped pouches
 - Easy handling of shaped pouches
- Simple machinery
 - No sealing step needed
 - Filling head following pouches allows more time to fill for products sensitive to foaming
- Optimized use of packaging material – fill to max level – Head space is controlled thru a conveyor or metal support to out feed conveyor belt.

Features

- Stainless steel construction, heavy duty, solid welded machine.
 - Hygienic design for Food contact products
 - All machine parts, in contact with product, are made out of stainless steel 316.
 - No tubes or cables inside of the filling room.
 - Complete machine in corrosion free execution.
- Clean in Place
- High Performance
- Safe Process
- Small Footprint

To learn more about our products visit: www.karlville.com

US: +1-305-533-1051

Advantages of Inline-neck inserting, Filling and Capping

- Reduced cost by inserting spout in one process followed by filling and capping in one solid platform.
- Improved transportation efficiency by more pouches per box (no spout inserted in pouches)
- Less inventory space required for stocking pre-made pouches compared with railed spouted pouches.
- Better quality by not having bended railed prespouted pouches
- No rails required – reduce complexity and cost
- Highly reliable process
- Clean process without spilling and spraying
- Quick changeover to another pouch size
- Easy handling of jumbo flexible pouches
- No air evacuation necessary
- Airless filling
- Control head space
- Compact machinery built for a safe and clean operation.

Products	FOOD	Edible Oil	Liquid eggs	Non-FOOD	Synthetic oil	Liquid Detergent
		Dressings	Caramel sauce		Industrial soap	
		Water	Chocolate sauce		Paint	

Layout

