

Automatic Application- Sleevepro 150



KARLVILLE

The new SP150 fits low speed applications. It processes about 150 containers per minute- and can be used for flexible packaging in several industries, such as beverage, pharmaceutical and cosmetics, sauces and dressings.

Machine Specifications

| Description | Spec |
|----------------------------|-----------------------|
| Bottle Diameter | 25 / 155 mm |
| Sleeve Cut Length | 30 / 300 mm |
| Bottle Height | 40 / 350 mm |
| Maximum Speed | Up to 150 CPM |
| Film Thickness | 25 µm / 70 µm |
| Sleeve Inner Core diameter | 127 / 254 mm (5"-10") |
| Maximum Roll Diameter | 500 mm |
| Number Unwind Shafts | 1 |

Design

- Allen-Bradley or Mitsubishi Servo Motor Driven
- Servo Motor Cutting System
- Splice Detection
- 1 or 2 Roll Unwind w/ Film Accumulation Option
- US Safety Compliant Standards

Features

- Linear Process Flow
- Direct Sleeve Application
- Stainless Steel Construction
- Changes over less than 10 minutes
- Safety Beacon Light (Optional)

To learn more about our products visit: www.karlvilleville.com

US: +1-305-533-1051 | Europe: +33-472-81-2929

Email: info@karlvilleville.com

Options

[Click for more pictures](#)

Perforation: The SP models are capable to handle continuous vertical cross horizontal perforation per request:

- Vertical Perforation
- Cross Perforation
- Micro Perforation for irregular shape to improve shrink results

Detection – Rejection: The SP models are capable to detect presence of the label, splice, label height:

- Standard Photocell
- Vision Camera Systems (Optional)

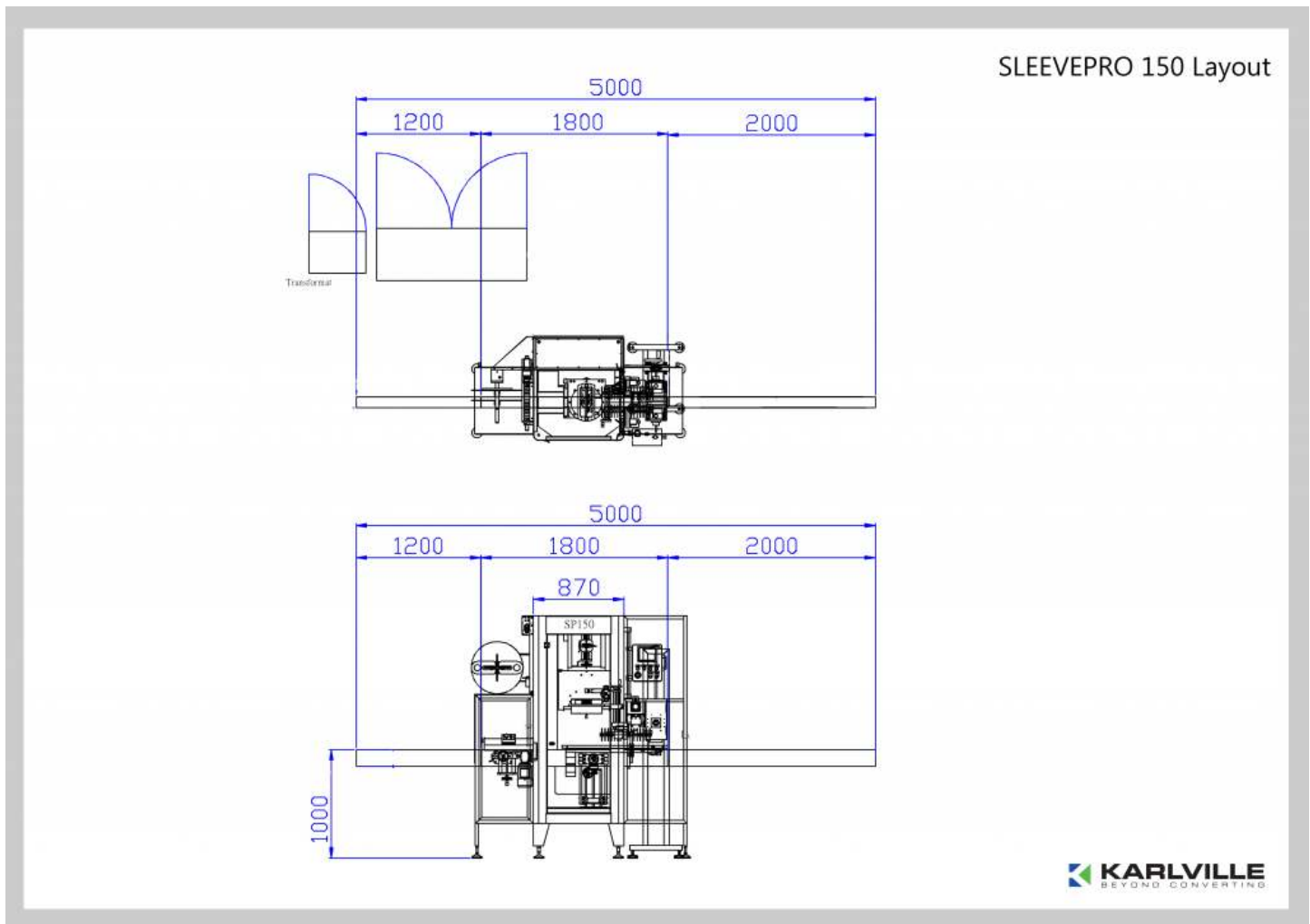
Customized Handling Systems: They will be introduced to meet special product shapes requirements:

- Empty Applications
- Filled Applications
- Round Special Shape
- Non-round Special Shape
- Partial Applications

Stand Alone Units With Accumulator: This option can be integrated to the High Speed SleevePro models to avoid downtime on the production line by using the accumulator to splice to a new roll.

Orientation Systems: The SP models can use orientation system thru conveyor.

Layout



To learn more about our products visit: www.karville.com

US: +1-305-533-1051 | Europe: +33-472-81-2929

Email: info@karville.com